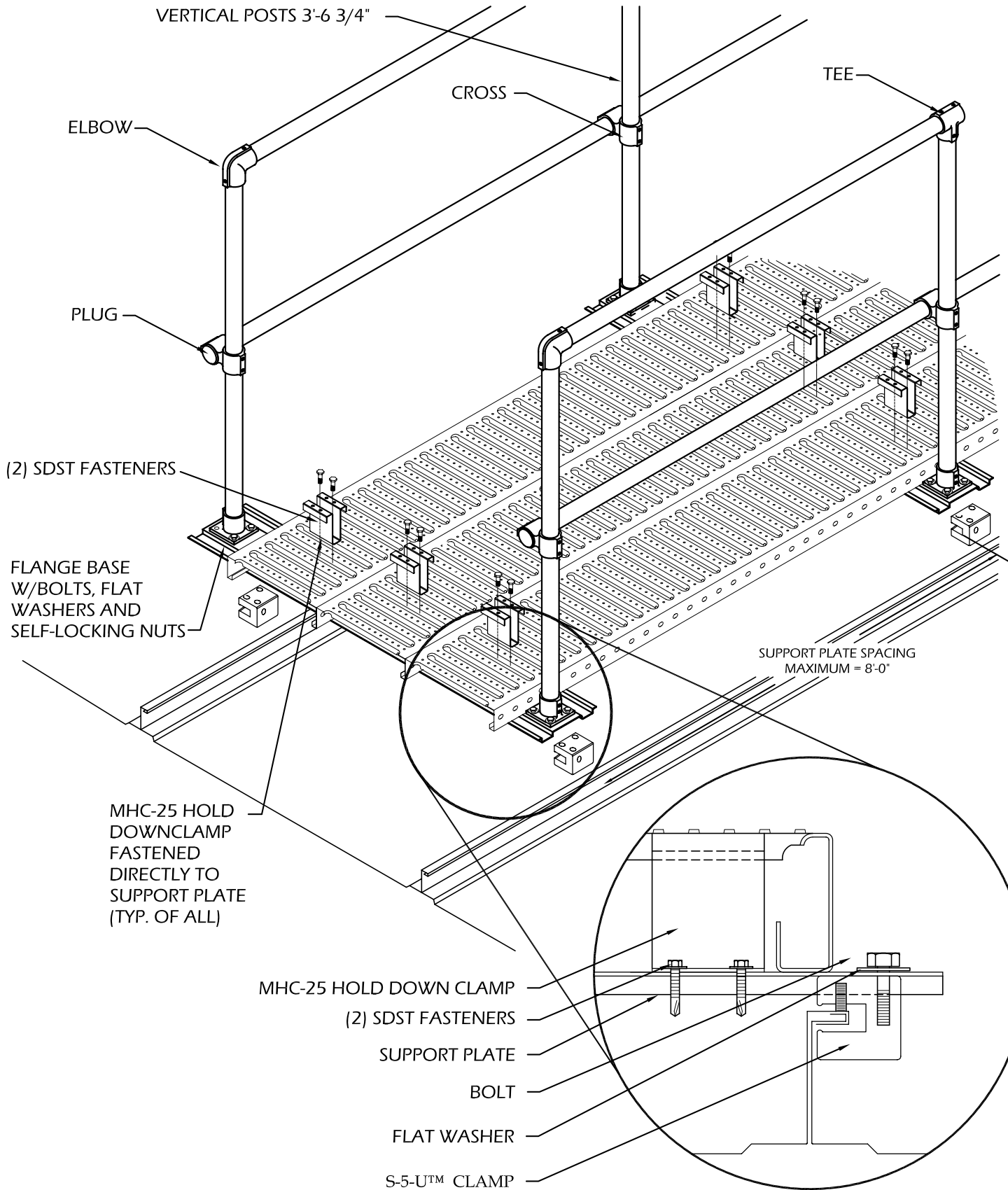


# ROOFTOP METALWALK® SYSTEM

# "L" RIB SSR



**DESIGN COMPONENTS, INC.**  
 PH: (800) 868-9910  
 FX: (770) 460-7872  
 website: [www.metalwalk.com](http://www.metalwalk.com)  
 e-mail: [sales@designcomponents.com](mailto:sales@designcomponents.com)

**WALKWAY:** 36" wide METALWALK®  
**HANDRAIL:** None  
**ATTACHMENT:** S-5-U™ Clamp  
**VIEW:** Parallel to Panel

**DATE:** 03/02/2008

**DWG:** MW36-L-PAR