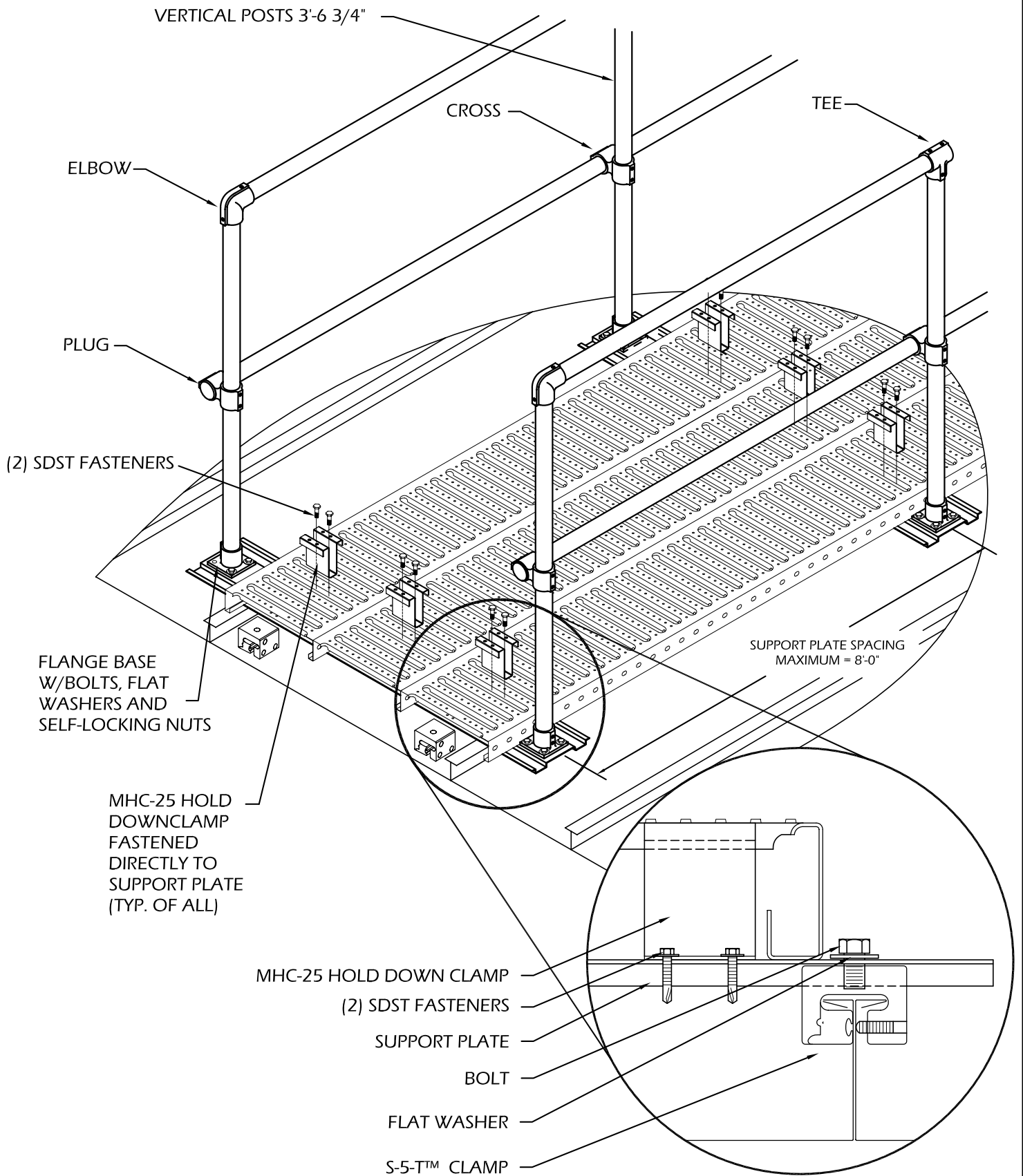


ROOFTOP METALWALK® SYSTEM

S-5-T™ CLAMP



DESIGN COMPONENTS, INC.
PH: (800) 868-9910
FX: (770) 460-7872
website: www.metalwalk.com
e-mail: sales@designcomponents.com

WALKWAY: 36" wide METALWALK®
HANDRAIL: (2) Sides
ATTACHMENT: S-5-T™ CLAMP
VIEW: Parallel to Panel

DATE: 03/02/2008

DWG: MW36H2-T-PAR