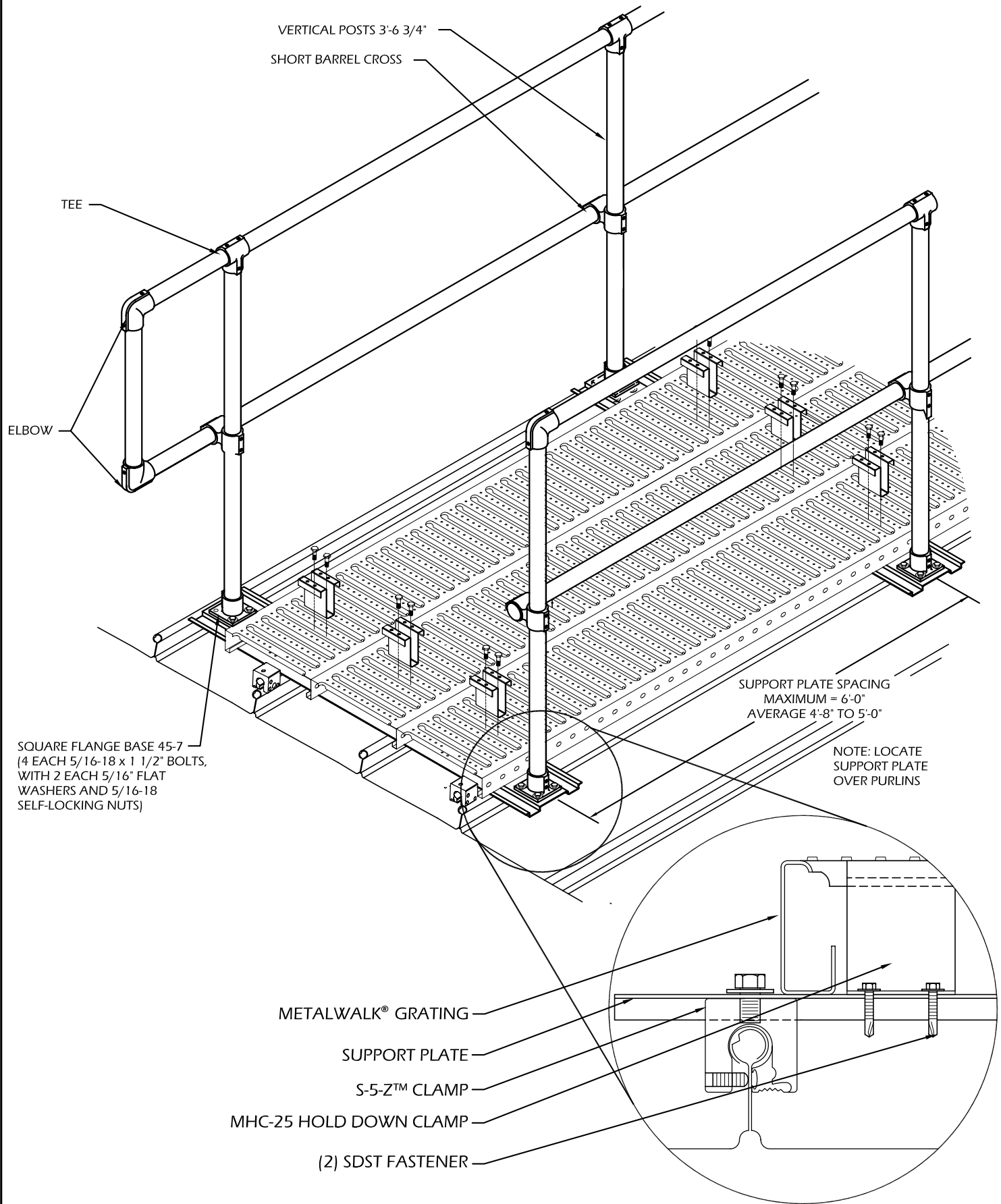


ROOFTOP METALWALK® w/SAFETY HANDRAIL

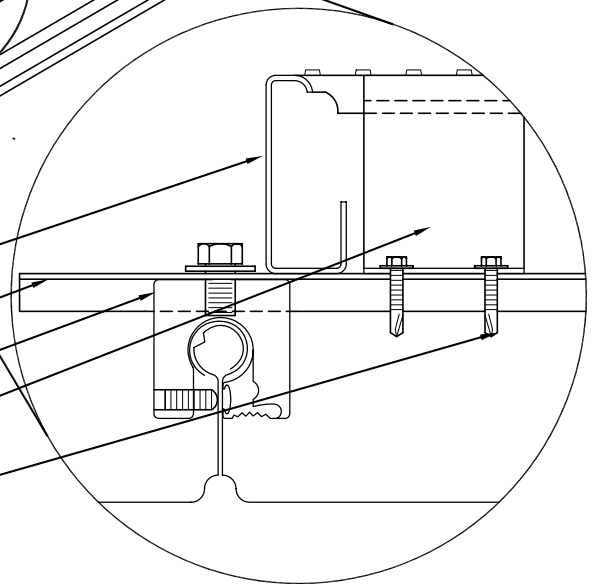


SQUARE FLANGE BASE 45-7
(4 EACH 5/16-18 x 1 1/2" BOLTS,
WITH 2 EACH 5/16" FLAT
WASHERS AND 5/16-18
SELF-LOCKING NUTS)

SUPPORT PLATE SPACING
MAXIMUM = 6'-0"
AVERAGE 4'-8" TO 5'-0"

NOTE: LOCATE
SUPPORT PLATE
OVER PURLINS

METALWALK® GRATING
SUPPORT PLATE
S-5-Z™ CLAMP
MHC-25 HOLD DOWN CLAMP
(2) SDST FASTENER



DESIGN COMPONENTS, INC.
PH: (800) 868-9910
FX: (770) 460-7872
website: www.metalwalk.com
e-mail: sales@designcomponents.com

WALKWAY: 36" wide Metalwalk®
HANDRAIL: (2) Sides
ATTACHMENT: S-5-Z™ CLAMP
VIEW: Parallel to Panel

DATE: 03/02/2008

DWG: MW36H2-Z-PAR