



**DESIGN COMPONENTS, INC.**

115 Walter Way — Fayetteville, GA 30214  
 PH: (800) 868-9910 FX: (770) 460-7872  
 email: sales@designcomponents.com  
 website: www.designcomponents.com

**Steel Operable Louver**  
**CALL 1-800-868-9910**

## TYPICAL STEEL OPERABLE LOUVER

### Standard Construction:

**Frame:** 4" (101 mm) x 20 ga. galvanized steel.

**Blades:** 20 ga. galvanized steel,  
 approximately 4-3/8" (111 mm) on centers.

**Blade Angle:** 45°

**Bearings:** Permanently lubricated oilite bronze,  
 press fit into frame.

**Axles:** 1/2" (12.7 mm) dia. plated steel.

**Linkage:** Plated steel concealed in jamb.

**Operator:** Wing nut slide bracket.

**Screen:** Bird screen - 1/2" x 1/2" (12.7 mm x 12.7 mm) x 19 ga.  
 galvanized steel, in a removable frame on interior of louver.

**Finish:** Mill galvanized.

**Minimum Size:** 12"w x 12"h (25.4 mm x 25.4 mm)

**Maximum Section Size:** 48"w x 72"h (1219 mm x 1829 mm) with Jamb Seal

48"w x 96"h (1219 mm x 2438 mm) without Jamb Seal

### Options:

**Screens:** Insect screen - 18 x 16 mesh aluminum.  
 Other: \_\_\_\_\_

**Blade Seals:** Extruded vinyl

**Jamb Seals:** Flexible stainless steel

**Finish:** Prime Coat.

Baked Enamel.

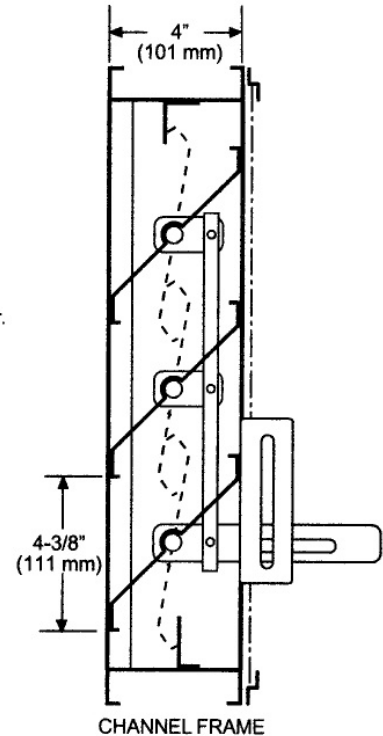
Other: \_\_\_\_\_

### Sill Extensions:

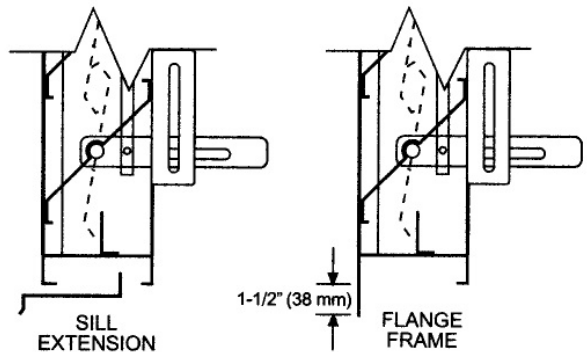
**Flange:** 1-1/2" (38 mm) (front or rear)

**Other Operator** - \_\_\_\_\_

**Notes:** Louvers fabricated 1/4" (6.4 mm) under  
 opening size unless otherwise noted.



CHANNEL FRAME



SILL  
EXTENSION

1-1/2" (38 mm)

FLANGE  
FRAME

QTY	SIZE-width x height	FINISH	FRAME STYLE

Specifications are correct at time of printing. However, as part of our 'continuous improvement program,' we reserve the right to make further improvements without notice.

---

Project:	Contractor:
Location:	Address:
Architect:	P.O. Number:
Engineer:	Date:

---