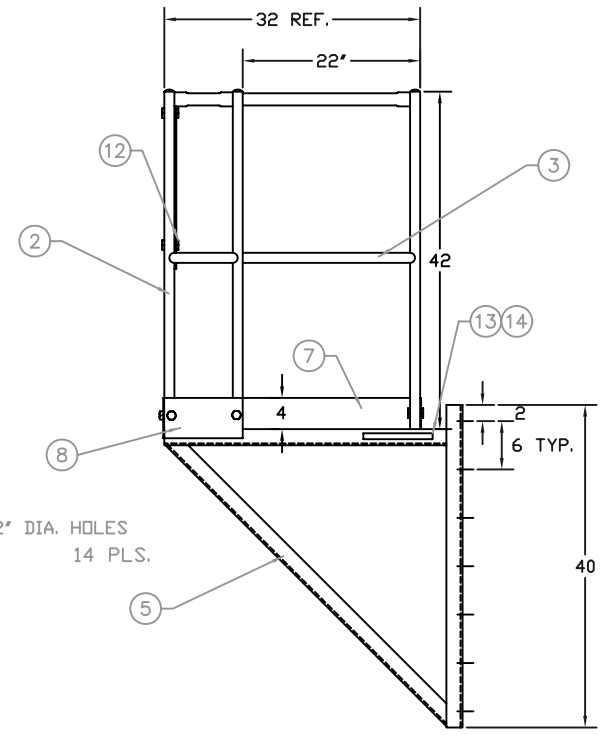
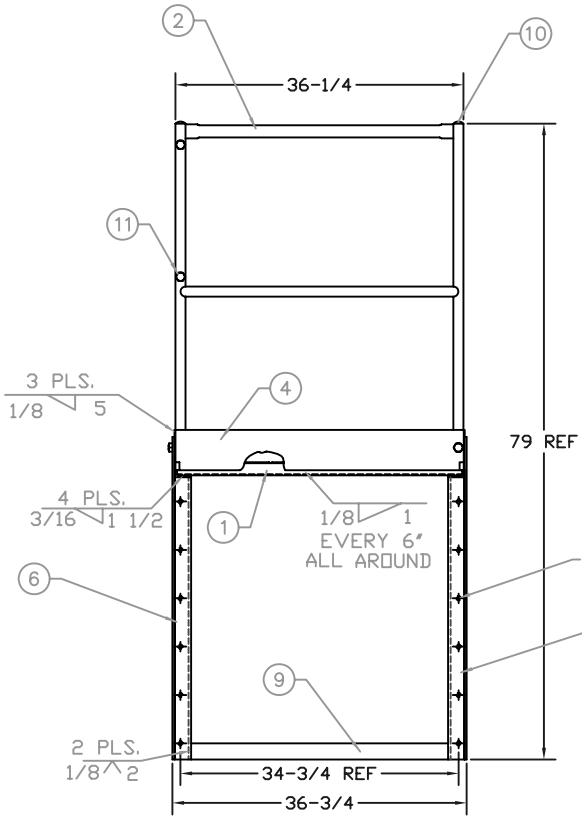
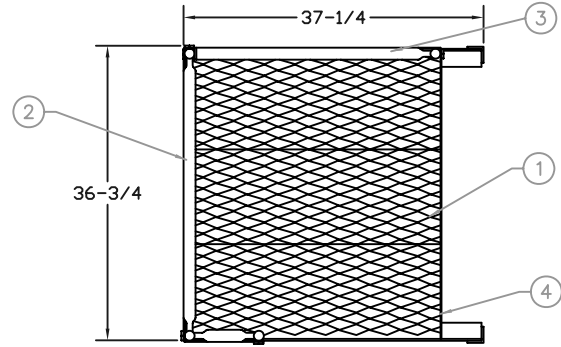


DWG. NO. D0570007		SHT. REV. 1-1			
REVISIONS					
REV.	E.C.D.	DESCRIPTION	DATE	BY	APP'D
B	0780	REDRAWN TO COMPUTER, REMOVE PARTS LIST	02/09/93	RJ	JK
C	1988	ADDED BOM TO DRAWING	11/02/01	JT	JK
D	2266	EDIT DWG. FOR ECO 2266	04/05/05	JM	JK



ITEM	MATL/PART	DRAWING	DESCRIPTION	QTY
1	B-57-14	B0570014	PLATFORM	1
2	B-57-15	B0570016	LEFT SIDE & FRONT PANEL	1
3	B-57-17	B0570017	SIDE PANEL	1
4	A-57-44	A0570044	FRONT & BACK TOE BOARD	2
5	C-57-18	C0570018	R.H. MOUNTING SUPPORT FOR S.P.	2
6	C-57-17	C0570017	L.H. MOUNTING SUPPORT FOR S.P.	2
7	A-57-48	A0570048	LONG SIDE TOE BOARD	1
8	A-57-48	A0570048	SHORT SIDE TOE BOARD	1
9	SF5170	-	SUPPORT SPACER	1
10	A-301-0981	-	1-1/4-14-20 CAP PLUG	4
11	A-301-0995	-	3/8-16 X 2-1/4 HEX HD CAP SCREW	6
12	A-301-0988	-	3/8-16 HEX LOCKNUTS W/NYLON INSERTS	6
13	A-301-0525	-	MADE IN THE USA LABEL	1
14	A-008-0008	-	NAMEPLATE: 300 LB/CAUTION-MI	1

THIS DRAWING IS COMPUTER GENERATED.

DWN CEG DATE 5-24-85
 CKD DATE 10-11-85
 APD JK DATE 10-11-85

130 SELTZER RD, CROSWELL, MI 48422

36 X 32 RIGHT SIDE ENTRY STANDOFF PLATFORM - FL

THIS PRINT IS THE PROPERTY OF COTTERMAN COMPANY AND MUST NOT BE USED IN WHOLE, OR PART WITHOUT WRITTEN PERMISSION.

PART NO. 3570203 DWG. NO. D0570007 REV. D

PLEASE RETURN ON DEMAND. SCALE 1/8"=1" SHT. 1-1

DWG. NO. D0570007 SHT. REV. 1-1