

PERSONNEL DOOR CANOPIES



SPECIFICATIONS

- **CONSTRUCTION:**

- Constructed of 26 Ga. painted steel or .032 embossed aluminum material around an 18 Ga. Galvanized frame.
- Telescoping support channels mount between girts on the interior of the building.
- Channels will accommodate girt spacing of up to 7'-6".
- 1/2" threaded rod connects channels to canopy frame.
- All hardware necessary for installation is included.

- **DESIGN:**

- Incorporates a flat soffit and an integral gutter drain.
- Canopy drains against building to outside of door jambs.
- Can be installed in conjunction with any wall panel type or masonry construction.
- Individual units can be flashed together for continuous applications.

- **FINISH:**

Mill Finish, Pre-Coated or Baked Enamel Finish applied to match most metal building colors.

- **STANDARD SIZES:**

4'-0" projection from face of wall and either 4'-6" width for single doors or 7'-6" width for double doors.

SPECIAL SIZES AVAILABLE

- **LOADING:**

4'-6" wide Canopy rated for 55#PSF gravity loading and 49#PSF wind uplift = 114 mph.

7'-6" wide Canopy rated for 55#PSF loading and 38#PSF wind uplift = 100 mph.

(assumes canopy is mounted less than 20' from ground)

Optional 100#PSF available upon request

CALL FOR CURRENT PRICING



DESIGN COMPONENTS, INC. Serving The Metal Building Industry Since 1978

115 Walter Way

Fayetteville, GA 30214

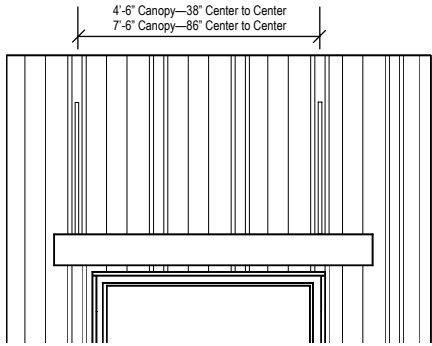
email: sales@designcomponents.com

PH (800) 868-9910

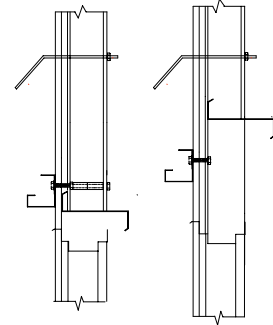
FX (770) 460-7872

website: www.designcomponents.com

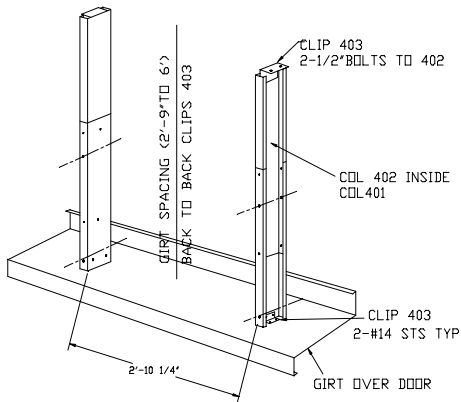
CANOPY INSTALLATION DETAILS



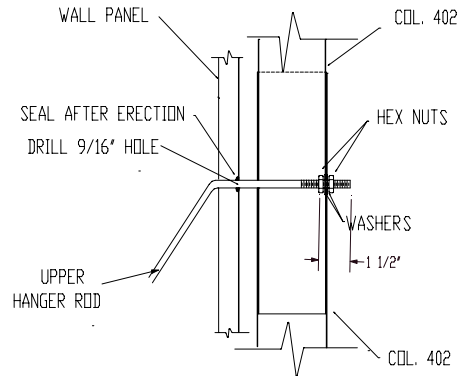
Installed Unit



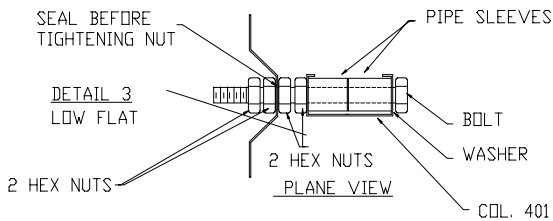
Case 1 Case 2



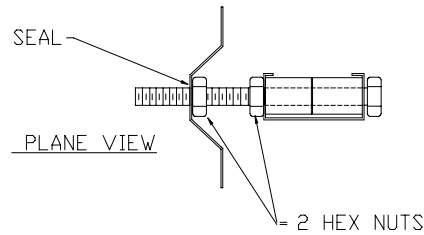
Detail 1: Install Support Columns



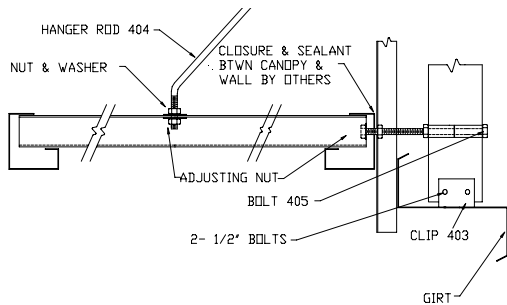
Detail 2: Install Hanger Rod 404



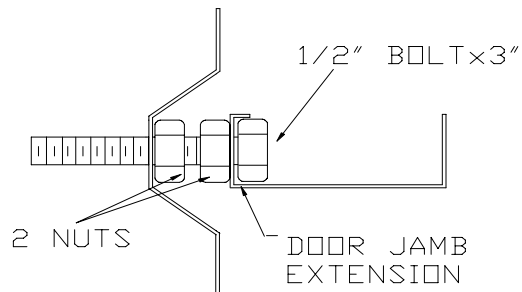
Detail 3



Detail 4: Install Lower Bolts 405



Detail 5: Install Canopy Rods



Detail 6



DESIGN COMPONENTS, INC. Serving The Metal Building Industry Since 1978

115 Walter Way	Fayetteville, GA 30214	email: sales@designcomponents.com
PH (800) 868-9910	FX (770) 460-7872	website: www.designcomponents.com